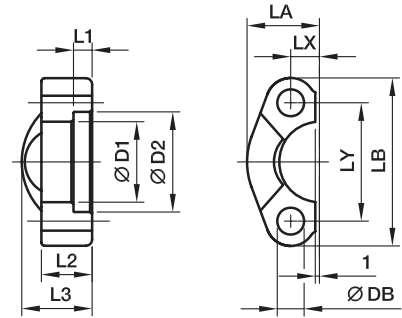


## FHS SAE 分体式法兰片 – ISO6162-1/-2



### 3000 PSI 系列

法兰尺寸												螺栓		重量 (碳钢) 千克/件	订货号*	工作压力 (bar)	
SAE (in)	ISO (DN)	D1	D2	L1	L2	L3	LA	LB	LX	LY	DB	(公制)	(美制)			CF	SS
1/2	13	24.3	31.0	6.2	13	19	23.0	54.0	8.7	38.1	9.0	M 8×25	5/16×1 1/4	0.07	<b>FHS32</b>	345	345
3/4	19	32.2	38.9	6.2	14	22	25.9	65.0	11.1	47.6	11.0	M10×30	3/8×1 1/4	0.09	<b>FHS33</b>	345	345
1	25	38.5	45.2	7.5	16	24	29.2	69.9	13.1	52.4	11.0	M10×30	3/8×1 1/4	0.11	<b>FHS34</b>	345	345
1 1/4	32	43.7	51.6	7.5	16	22	36.3	79.4	15.1	58.7	11.0	M10×35	–	0.15	<b>FHS35/10</b>	276	276
1 1/4	32	43.7	51.6	7.5	16	22	36.3	79.4	15.1	58.7	12.0	–	7/16×1 1/2	0.15	<b>FHS35/12</b>	276	276
1 1/4	32	43.7	51.6	7.5	16	22	36.3	79.4	15.1	58.7	12.5	M12×35	–	0.15	<b>FHS35</b>	276	276
1 1/2	38	50.8	61.1	7.5	16	25	41.1	93.8	17.9	69.9	13.0	M12×35	1/2×1 1/2	0.23	<b>FHS36</b>	207	207
1 1/2	38	50.8	61.1	7.5	16	25	41.1	93.8	17.9	69.9	14.5	M14×35	–	0.23	<b>FHS36/14</b>	207	207
2	51	62.8	72.3	9.0	16	26	48.2	101.6	21.4	77.8	13.0	M12×35	1/2×1 1/2	0.25	<b>FHS38/12</b>	207	207
2	51	62.8	72.3	9.0	16	26	48.2	101.6	21.4	77.8	14.5	M14×35	–	0.25	<b>FHS38</b>	207	207
2 1/2	64	74.9	84.9	9.0	19	38	54.1	114.3	25.4	88.9	13.0	M12×40	1/2×1 3/4	0.37	<b>FHS310</b>	172	172
2 1/2	64	74.9	84.9	9.0	19	38	54.1	114.3	25.4	88.9	14.5	M14×40	–	0.37	<b>FHS310/14</b>	172	172
3	76	90.9	102.4	9.0	22	41	65.3	135.0	31.0	106.4	17.0	M16×45	5/8×1 3/4	0.65	<b>FHS312</b>	138	138
3 1/2	89	102.4	115.0	10.7	22	28	68.6	152.4	34.9	120.7	17.0	M16×45	5/8×2	0.75	<b>FHS314</b>	34	34
4	102	115.1	127.8	10.7	25	35	74.9	162.0	38.9	130.2	17.0	M16×50	5/8×2	0.84	<b>FHS316</b>	34	34
5	127	140.5	153.2	10.7	28	41	89.4	184.2	46.0	152.4	17.0	M16×50	5/8×2 1/4	1.25	<b>FHS320</b>	34	34

### 6000 PSI 系列

1/2	13	24.6	32.5	7.2	16	22	24.0	56.4	9.1	40.5	9.0	M 8×30	5/16×1 1/4	0.08	<b>FHS62</b>	420	420
3/4	19	32.5	42.0	8.3	19	28	30.0	72.0	11.9	50.8	11.0	M10×35	3/8×1 1/2	0.18	<b>FHS63</b>	420	420
1	25	38.8	48.4	9.0	24	33	34.8	81.0	13.9	57.2	13.0	M12×45	–	0.27	<b>FHS64</b>	420	420
1	25	38.9	48.4	9.0	24	33	34.8	81.0	13.9	57.2	12.0	–	7/16×1 3/4	0.27	<b>FHS64/12</b>	420	420
1 1/4	32	44.5	54.8	9.8	27	38	38.6	95.3	15.9	66.6	15.0	M14×50	–	0.27	<b>FHS65</b>	420	420
1 1/4	32	44.5	54.8	9.8	27	38	38.6	95.3	15.9	66.6	13.0	M12×45	1/2×1 3/4	0.27	<b>FHS65/12</b>	420	420
1 1/2	38	51.6	64.3	12.1	30	43	47.5	112.8	18.3	79.3	17.0	M16×55	5/8×2 1/4	0.40	<b>FHS66</b>	420	420
2	51	67.6	80.2	12.1	37	52	56.9	133.4	22.2	96.8	22.0	M20×65	3/4×2 3/4	0.40	<b>FHS68</b>	420	420
2 1/2	64	90.0	108.0	20.0	45	45	75.1	180.0	29.4	123.8	25.0	M24×75	–	0.68	<b>FHS610</b>	420	420
3	76	115.0	132.5	25.0	55	55	99.1	215.0	35.7	152.4	31.5	M30×90	–	1.05	<b>FHS612</b>	420	420

\*请根据表面处理及材料添加后缀

订货号后缀			
材料	表面处理 及材料	示例	描述
碳钢, 无六价铬镀锌	CF	FHS32CFX	仅法兰片
不锈钢	SS	FHS32SSX	仅法兰片