

## CONTROL

**UC** STRAIGHTFORWARD  
CRIMPING CONTROLLING.

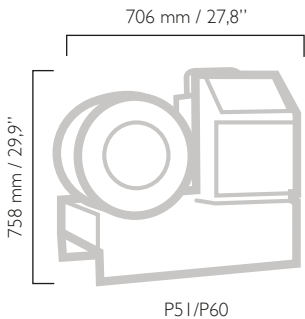


P51

FINN-POWER P51 AND P60 CRIMPING  
MACHINES FOR GENERAL PRODUCTION

## P51 & P60 – PERFECT FOR CRIMPING HYDRAULIC HOSES UP TO 4”

Finn-Power P51 and P60 models are the strongest tabletop machines in Finn-Power general machine line. The wide opening of P51 and P60 makes it possible to crimp industrial hoses up to 4". As there is no axial movement of the dies during the crimping, positioning is easy and accurate. Furthermore, the control unit can be turned within 100 degrees to suit operator's preferences. Finn-Power UC control extends this model's use by giving the possibility to crimp according to diameter and/or pressure.



P51/P60



[http://powerco.lillbacka.com/  
products/general-production](http://powerco.lillbacka.com/products/general-production)

### OPTIONS P51 & P60

- Tool base with quick-change tool
- Tool rack with quick-change tool
- Electric backstop device
- Mechanical backstop device
- Counter
- A3 Signal tool
- Pressure crimping (UC1)
- Step crimping (UC2)

### DIE SET TABLE P32

| Pno      | Crimp. range | D  | L   |
|----------|--------------|----|-----|
| 18506/10 | 10.0 - 12.0  | 10 | 55  |
| 18506/12 | 12.0 - 14.0  | 12 | 55  |
| 18506/14 | 14.0 - 16.0  | 14 | 55  |
| 18506/16 | 16.0 - 19.0  | 16 | 55  |
| 18506/19 | 19.0 - 22.0  | 19 | 55  |
| 18506/22 | 22.0 - 26.0  | 22 | 70  |
| 18506/26 | 26.0 - 30.0  | 26 | 70  |
| 18506/30 | 30.0 - 34.0  | 30 | 70  |
| 18506/34 | 34.0 - 39.0  | 34 | 75  |
| 18506/39 | 39.0 - 45.0  | 39 | 75  |
| 18506/45 | 45.0 - 51.0  | 45 | 90  |
| 18506/51 | 51.0 - 57.0  | 51 | 90  |
| 18506/57 | 57.0 - 63.0  | 57 | 100 |
| 18506/63 | 63.0 - 69.0  | 63 | 110 |
| 18506/69 | 69.0 - 75.0  | 69 | 110 |
| 18506/74 | 74.0 - 80.0  | 74 | 110 |
| 18506/78 | 78.0 - 87.0  | 78 | 110 |

|  | P51               | P60               |
|--|-------------------|-------------------|
| Crimping range (mm) <sup>1)</sup>      | 10 - 87(124)      | 10 - 87(124)      |
| Crimping range (inch) <sup>1)</sup>    | 0.39 - 3.42(4.88) | 0.39 - 3.42(4.88) |
| Max opening (mm)                       | +46               | +64               |
| Max. crimping force (kN)               | 2 800             | 2 600             |
| Max. crimping force (tonnage)          | 280               | 260               |
| Number of crimpings/hour <sup>2)</sup> | 720               | 720               |
| Motor (kW)                             | 4                 | 4                 |
| Motor (HP)                             | 5.5               | 5.5               |
| Weight (kg)                            | 260               | 260               |
| Weight (lbs)                           | 573               | 573               |

1) With standard dies. Crimping range can be increased with special dies.

2) Theoretical with 10 mm opening.

FP140 dies can be used without adapter dies.