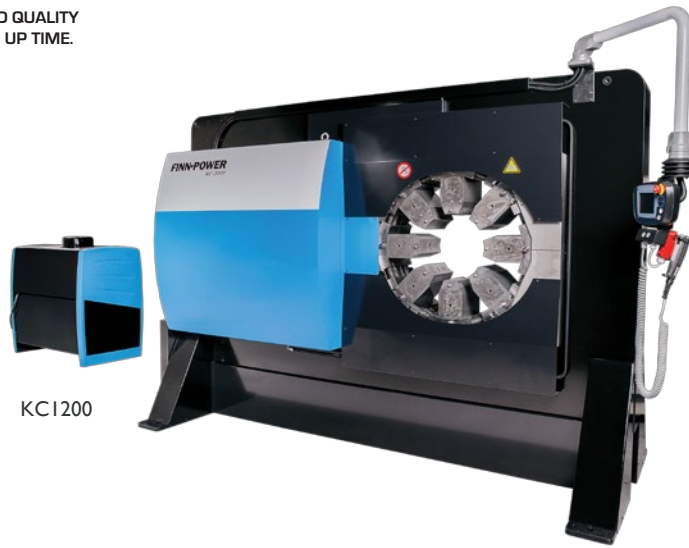


CONTROL

ICC TOUCHSCREEN. ADVANCED QUALITY CONTROL AND QUICK RUN UP TIME.

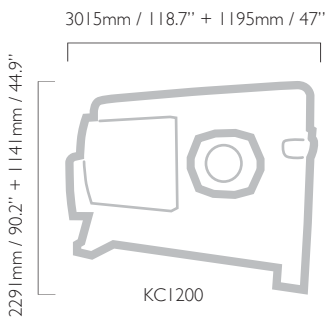
UC STRAIGHTFORWARD CRIMPING CONTROLLING.



KC1200

FINN-POWER KC1200 CRIMPING MACHINE FOR HEAVY DUTY PRODUCTION

KC1200 – STRONGEST WITH UNLIMITED POTENTIAL



Lillbacka Powerco has brought to market a crimping machine with unlimited potential and uses. King Crimper 1200 is made for heavy duty crimping and, together with KC2000, is the biggest and strongest crimping machine in Finn-Power production range.

The extremely large opening, enormous crimping force, the most advanced crimping control in the market with remote control and consistent repeatability guarantees that there are no limitations to the possibilities of applications uses for the King Crimper 1200. Another features King Crimper 1200 has are quick and precise joint and a free placing of the operating unit.

OPTIONS

- Foot pedal
- Auto greasing G3
- Oil cooler
- Remote control unit
- A3 signal option x communication*
- Bar Code Reader*
- Pressure crimping (UC1, ICC1)
- Step crimping (UC2, ICC2)
- Quality crimping (UC3, ICC3)
- Graphical quality crimping (ICC4)
- Camera**



<http://powerco.lillbacka.com/products/heavy-duty-production>

DIE SET TABLE FP160, FP170

Pno	Crimp. range	D	L
18852/84	84.0 - 92.0	84	116
18852/92	92.0 - 100.0	92	116
18852/100	100.0 - 108.0	100	116
18852/108	108.0 - 116.0	108	116
18852/116	116.0 - 126.0	116	116
18852/126	126.0 - 136.0	126	116
18852/136	136.0 - 146.0	136	116
18852/146	146.0 - 156.0	146	116
18852/156	156.0 - 166.0	156	116
18852/166	166.0 - 178.0	166	116
18852/178	178.0 - 190.0	178	116
18852/190	190.0 - 202.0	190	116
405060/205	205.0 - 220.0	205	220
405060/220	220.0 - 235.0	220	220
405060/235	235.0 - 250.0	235	220
405060/250	250.0 - 270.0	250	220
405060/270	270.0 - 290.0	270	220
405060/290	290.0 - 320.0	290	220

KC1200	
Crimping range (mm) ¹⁾	200-650
Crimping range (inch) ¹⁾	7.87-25.60
Max opening (mm)	+180
Max. crimping force (kN)	12 000
Max. crimping force (tonnage)	1 200
Number of crimpings/hour ²⁾	NA
Motor (kW)	11
Motor (HP)	15
Weight (kg)	12 300 / 350
Weight (lbs)	27 116 / 772

1) With standard dies. Crimping range can be increased with special dies.

2) Theoretical with 10 mm opening.

* ICC 7", 12"
** ICC 12"