

Options:

Auto greasing

Mechanical back stop device

UC1, UC2, UC3

	NC20	NC30	NC40
Crimping range (mm) ¹⁾	12-49	12-63	12-105
Crimping range (inch) ¹⁾	0.47-1.93	0.47-2.48	0.47-4.13
Max. crimping force (kN)	500	660	930
Max. crimping force (tonnage)	50	66	93
Number of crimpings/hour ²⁾	2100	2400	1900
Hose size ID (inch)	1¼	2	2
Die set ³⁾	NC20	NC30	NC ⁵⁾
Max. opening (mm) ⁴⁾	+18	+26	+26
Master die D/L (mm)	99 / 22	99 / 35	140 / 37
Master die D/L (inch)	3.90 / 0.87	3.90 / 1.38	5.52 / 1.46
Control	UC	UC	UC
Motor (kW)	3	4	4
Motor (HP)	4.0	5.5	5.5
SIZE: length (mm)	835	835	835
width (mm)	885	885	885
height (mm)	997	997	997
SIZE: length (inch)	32.9	32.9	32.9
width (inch)	34.8	34.8	34.8
height (inch)	39.3	39.3	39.3
Weight (kg)	220	240	240
Weight (lbs)	485	529	529



- 1) With standard dies. Crimping range can be increased with special dies.
- 2) Theoretical with 10 mm cycle
- 3) See table for die set data
- 4) Maximum opening is the total die travel. Add this value to the minimum crimping diameter of the die set used. The result is the maximum opening of the machine with die set in place.
- 5) NC20, NC30 and NC40 dies can be used

FINN-POWER's NC20, NC30 and NC40 series nut crimping machines provide fast, accurate operation in crimping the nut / ferrule / bush set on ends of hydraulic hoses. These models are intended for use in serial manufacturing.

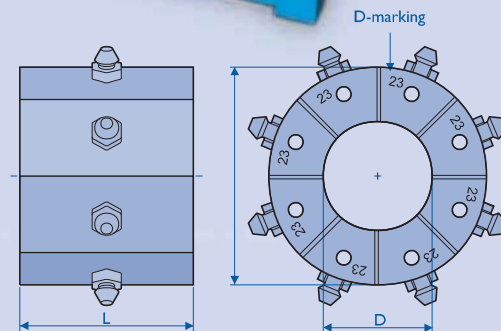
A special centring pin, selected according to ferrule size is used during the crimping. The machine produces accurate and consistent results.



NC40



NC20Z UC



702044/xx
NC30

Pno	Crimping range	D	L
702044/12	12.0 - 14.0	12	3
702044/14	14.0 - 16.0	14	3
702044/16	16.0 - 19.0	16	4
702044/19	19.0 - 22.0	19	4
702044/22	22.0 - 26.0	22	4.5
702044/26	26.0 - 30.0	26	4.5
702044/30	30.0 - 34.0	30	5
702044/34	34.0 - 39.0	34	5
702044/39	39.0 - 45.0	39	5
702044/45	45.0 - 51.0	45	5
702044/51	51.0 - 57.0	51	5
702044/57	57.0 - 63.0	57	5

18546/xx
NC20

Pno	Crimping range	D	L
18546/12	12.0 - 16.0	12	3
18546/16	16.0 - 22.0	16	4
18546/22	22.0 - 27.0	22	4.5
18546/27	27.0 - 34.0	27	5
18546/34	34.0 - 41.0	34	5
18546/41	41.0 - 49.0	41	5

703955/xx
NC40

Pno	Crimping range	D	L
703955/63	63.0 - 69.0	63	5
703955/69	69.0 - 73.0	69	5
703955/73	73.0 - 81.0	73	6
703955/81	81.0 - 93.0	81	7
703955/93	93.0 - 26.0	93	7