



FP170 UC

In Finn-Power FP170 and FP175 models, speed, force and accuracy are combined in the same single machine. Horizontal construction is available upon request.

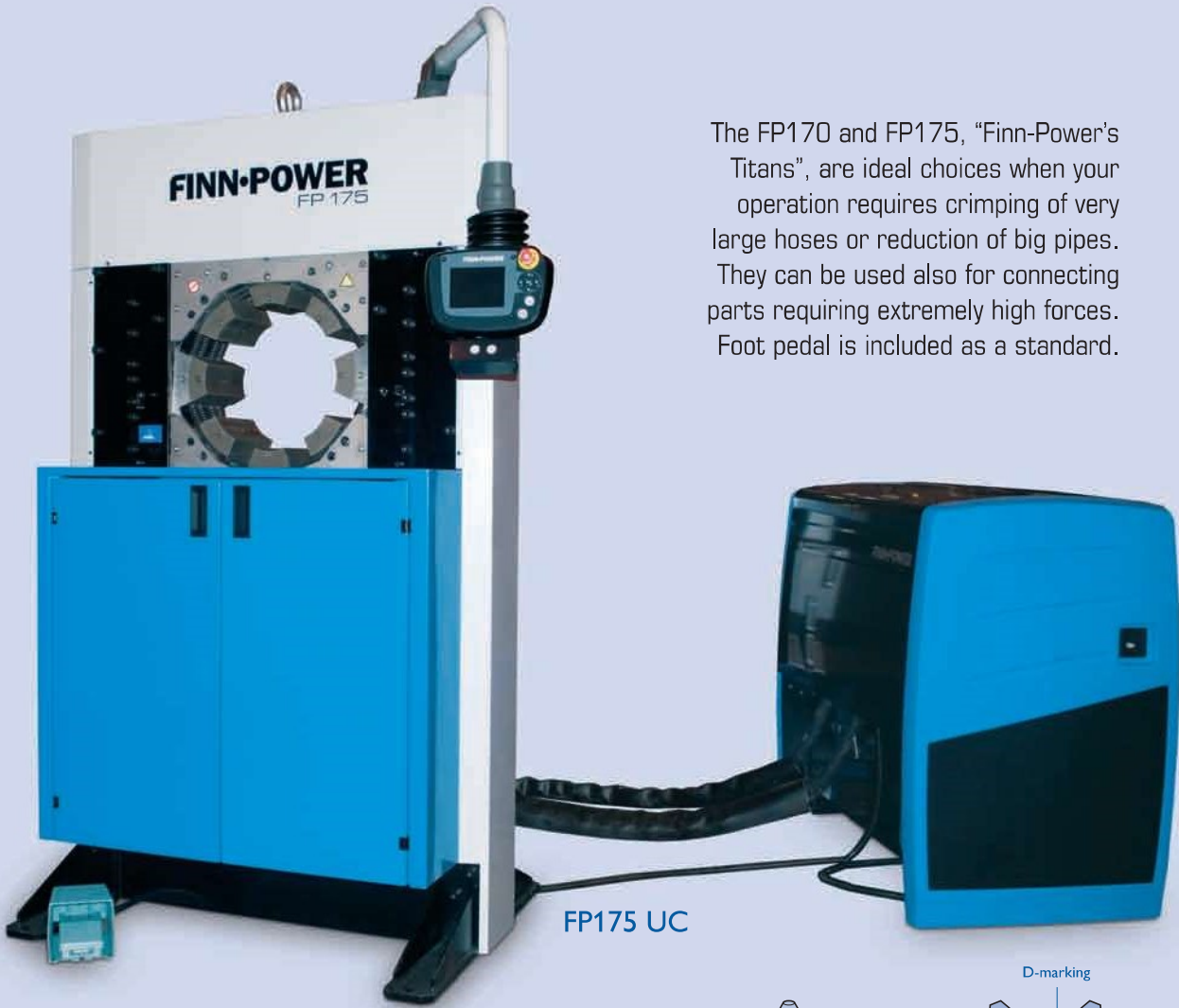
Options:
Auto greasing
Die set rack
Oil cooler
Speed adjustment
Remotic control unit
Pinning support mandrel
UC1, UC2, UC3

	FP170	FP175
Crimping range (mm) <sup>1)</sup>	10-320	10-320
Crimping range (inch) <sup>1)</sup>	0.39-12.60	0.39-12.60
Max. crimping force (kN)	6600	8300
Max. crimping force (tonnage)	660	830
Number of crimpings/hour <sup>2)</sup>	1160	1140
Hose size ID (inch)	10	10
Die set <sup>3)</sup>	P32 <sup>5)</sup> /FP160 <sup>5)</sup> /FP170	P32 <sup>5)</sup> /FP160 <sup>5)</sup> /FP170
Max. opening (mm) <sup>4)</sup>	+155	+155
Master die D/L (mm)	320 / 220	320 / 220
Master die D/L (inch)	12.60 / 8.66	12.60 / 8.66
Control	UC	UC
Motor (kW)	7.5	11
Motor (HP)	10.0	15.0
SIZE: length (mm)	1200 / 600	1200 / 640
width (mm)	936 / 1056	936 / 1156
height (mm)	2080 / 1185	2080 / 1185
SIZE: length (inch)	47.3 / 23.7	47.3 / 25.2
width (inch)	36.9 / 41.6	36.9 / 45.5
height (inch)	81.9 / 46.7	81.9 / 46.7
Weight (kg)	4280 / 310	4400 / 350
Weight (lbs)	9436 / 684	9700 / 772

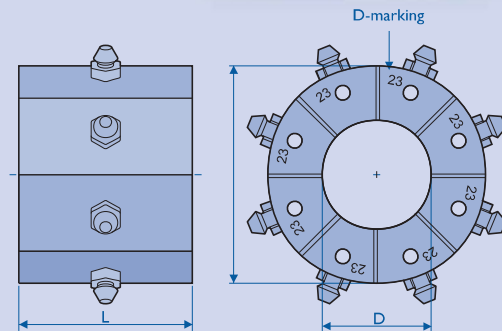


- 1) With standard dies. Crimping range can be increased with special dies.
- 2) Theoretical with 10 mm cycle
- 3) See table for die set data
- 4) Maximum opening is the total die travel. Add this value to the minimum crimping diameter of the die set used. The result is the maximum opening of the machine with die set in place.
- 5) With adapter dies

The FP170 and FP175, "Finn-Power's Titans", are ideal choices when your operation requires crimping of very large hoses or reduction of big pipes. They can be used also for connecting parts requiring extremely high forces. Foot pedal is included as a standard.



FP175 UC



**18852/xx**  
FP160

Pno	Crimping range	D	L
18852/84	84.0 - 92.0	84	116
18852/92	92.0 - 100.0	92	116
18852/100	100.0 - 108.0	100	116
18852/108	108.0 - 116.0	108	116
18852/116	116.0 - 126.0	116	116
18852/126	126.0 - 136.0	126	116
18852/136	136.0 - 146.0	136	116
18852/146	146.0 - 156.0	146	116
18852/156	156.0 - 166.0	156	116
18852/166	166.0 - 178.0	166	116
18852/178	178.0 - 190.0	178	116
18852/190	190.0 - 202.0	190	116

**405060/xxx**  
FP170

Pno	Crimping range	D	L
405060/205	205.0 - 220.0	205	220
405060/220	220.0 - 235.0	220	220
405060/235	235.0 - 250.0	235	220
405060/250	250.0 - 270.0	250	220
405060/270	270.0 - 290.0	270	220
405060/290	290.0 - 320.0	290	220

**18506/xx**  
P32

Pno	Crimping range	D	L
18506/10	10.0 - 12.0	10	55
18506/12	12.0 - 14.0	12	55
18506/14	14.0 - 16.0	14	55
18506/16	16.0 - 19.0	16	55
18506/19	19.0 - 22.0	19	55
18506/22	22.0 - 26.0	22	70
18506/26	26.0 - 30.0	26	70
18506/30	30.0 - 34.0	30	70
18506/34	34.0 - 39.0	34	75
18506/39	39.0 - 45.0	39	75
18506/45	45.0 - 51.0	45	90
18506/51	51.0 - 57.0	51	90
18506/57	57.0 - 63.0	57	100
18506/63	63.0 - 69.0	63	110
18506/69	69.0 - 75.0	69	110
18506/74	74.0 - 80.0	74	110
18506/78	78.0 - 87.0	78	110