



140UC

Due to the large opening and strength Finn-Power 140 and 145 models are suitable for middle range hydraulic and industrial hoses.

The Finn-Power 145 crimping machine is ideal choice when your operation requires crimping of very long ferrules. It has adapter dies with a length of 120 mm as a standard size.

Options:

Auto greasing
Foot pedal
Side table
Die set racks
Connection kit
Oil cooler
Speed adjustment
Pinning support mandrel
UC1, UC2, UC3

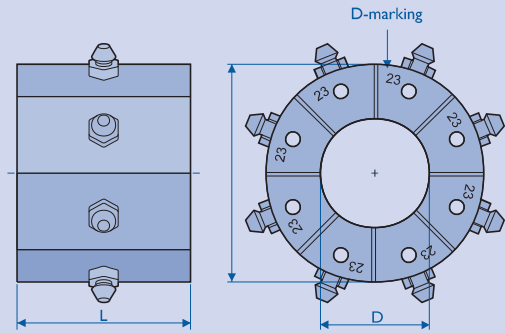
	FP140	FP140S	FP145
Crimping range (mm) ¹⁾	10-124	10-124	10-124
Crimping range (inch) ¹⁾	0.39-4.88	0.39-4.88	0.39-4.88
Max. crimping force (kN)	3200	3200	3500
Max. crimping force (tonnage)	320	320	350
Number of crimpings/hour ²⁾	2000	2500	2400
Hose size ID (inch)	2½ / 4 ⁵⁾	2½ / 4 ⁵⁾	2½ / 4 ⁵⁾
Die set ³⁾	P32 ⁶⁾ / FP140	P32 ⁶⁾ / FP140	P32 ⁶⁾ / FP145
Max. opening (mm) ⁴⁾	+82	+82	+82
Master die D/L (mm)	140/97	140/97	140/116
Master die D/L (inch)	5.52/3.82	5.52/3.82	5.52/4.57
Control	UC	UC	UC
Motor (kW)	5.5	7.5	7.5
Motor (HP)	7.5	10.0	10.0
SIZE: length (mm)	1063 / 713	1063 / 713	1063 / 713
width (mm)	737 / 705	737 / 705	756 / 705
height (mm)	1589 / 1059	1589 / 1059	1589 / 1059
SIZE: length (inch)	41.9 / 28.1	41.9 / 28.1	41.9 / 28.1
width (inch)	29 / 27.8	29 / 27.8	29.8 / 27.8
height (inch)	62.6 / 41.7	62.6 / 41.7	62.6 / 41.7
Weight (kg)	875 / 182	875 / 182	875 / 182
Weight (lbs)	1929 / 402	1929 / 402	1929 / 402



- 1) With standard dies. Crimping range can be increased with special dies.
- 2) Theoretical with 10 mm cycle
- 3) See table for die set data
- 4) Maximum opening is the total die travel. Add this value to the minimum crimping diameter of the die set used. The result is the maximum opening of the machine with die set in place.
- 5) Hydraulic hose / industrial hose
- 6) With adapter dies



145UC



QC Tool



18506/xx
P32

Pno	Crimping range	D	L
18506/10	10.0 - 12.0	10	55
18506/12	12.0 - 14.0	12	55
18506/14	14.0 - 16.0	14	55
18506/16	16.0 - 19.0	16	55
18506/19	19.0 - 22.0	19	55
18506/22	22.0 - 26.0	22	70
18506/26	26.0 - 30.0	26	70
18506/30	30.0 - 34.0	30	70
18506/34	34.0 - 39.0	34	75
18506/39	39.0 - 45.0	39	75
18506/45	45.0 - 51.0	45	90
18506/51	51.0 - 57.0	51	90
18506/57	57.0 - 63.0	57	100
18506/63	63.0 - 69.0	63	110
18506/69	69.0 - 75.0	69	110
18506/74	74.0 - 80.0	74	110
18506/78	78.0 - 87.0	78	110

18860/xx
FP140

Pno	Crimping range	D	L
18860/84	84.0 - 92.0	84	110
18860/92	92.0 - 100.0	92	110
18860/100	100.0 - 108.0	100	110
18860/108	108.0 - 116.0	108	110
18860/116	116.0 - 124.0	116	110

18506/xx
FP145

Pno	Crimping range	D	L
18506/10	10.0 - 12.0	10	55
18506/12	12.0 - 14.0	12	55
18506/14	14.0 - 16.0	14	55
18506/16	16.0 - 19.0	16	55
18506/19	19.0 - 22.0	19	55
18506/22	22.0 - 26.0	22	70
18506/26	26.0 - 30.0	26	70
18506/30	30.0 - 34.0	30	70
18506/34	34.0 - 39.0	34	75
18506/39	39.0 - 45.0	39	75
18506/45	45.0 - 51.0	45	90
18506/51	51.0 - 57.0	51	90
18506/57	57.0 - 63.0	57	100
18506/63L	63.0 - 69.0	63	120
18506/69L	69.0 - 75.0	69	120
18506/74L	74.0 - 80.0	74	120
18506/78L	78.0 - 87.0	78	120

18860/xxL
FP145

Pno	Crimping range	D	L
18860/84L	84.0 - 92.0	84	120
18860/92L	92.0 - 100.0	92	120
18860/100L	100.0 - 108.0	100	120
18860/108L	108.0 - 116.0	108	120
18860/116L	116.0 - 124.0	116	120