



P16HP

Finn-Power's portable crimping machines are designed for field service when repairs must be made on-site. Finn-Power's service machines are simple and straight-forward in construction, easy to operate, and highly reliable.

The light weight of Finn-Power's service machines allows the portable units to be easily carried to any location.

	P16HP	P16AP
Crimping range (mm) ¹⁾	10-45	10-45
Crimping range (inch) ¹⁾	0.39-1.77	0.39-1.77
Max. crimping force (kN)	955	955
Max. crimping force (tonnage)	95	95
Number of crimpings/hour ²⁾	-	-
Hose size ID (inch)	1	1
Die set ³⁾	P16	P16
Max. opening (mm) ⁴⁾	+20	+20
Master die D/L (mm)	39 / 64	39 / 64
Master die D/L (inch)	1.54 / 2.52	1.54 / 2.51
Control	manual	manual
Motor (kW)	hand pump	air pressure
Motor (HP)	hand pump	air pressure
SIZE: length (mm)	331	331
width (mm)	401	346
height (mm)	271	271
SIZE: length (inch)	13.1	13.1
width (inch)	15.7	13.6
height (inch)	10.7	10.7
Weight (kg)	26	28
Weight (lbs)	57	62



- 1) With standard dies. Crimping range can be increased with special dies.
- 2) Theoretical with 10 mm cycle
- 3) See table for die set data
- 4) Maximum opening is the total die travel. Add this value to the minimum crimping diameter of the die set used. The result is the maximum opening of the machine with die set in place.



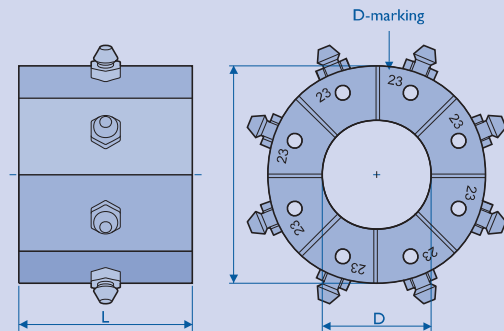
P16AP



P16HPZ



P16HPZ



18212/xx
P16

Pno	Crimping range	D	L
18212/10	10.0 - 12.0	10	55
18212/12	12.0 - 14.0	12	55
18212/14	14.0 - 16.0	14	55
18212/16	16.0 - 19.0	16	55
18212/19	19.0 - 23.0	19	55
18212/23	23.0 - 27.0	23	55
18212/27	27.0 - 31.0	27	65
18212/31	31.0 - 38.0	31	65