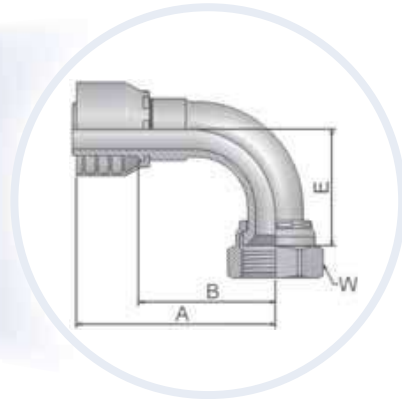


39/3W - JIC 37°/SAE 45°双角度-扩口式-旋转螺母-90°弯接头

ISO 12151-5-SWES - DKJ 90°



适用软管类型:

46	441, 461LT, 462, 462ST, 463, 492, 492ST, 692, 692 TWIN
43	381, 301SN, 302, 481, 421SN, 422, 426, 436, 441, 451TC, 471TC /472TC, 493, 811, 881

XXXX-XX-XX 型号		软管内径				螺纹 UNF	A	B	E	W
46	43	DN	Inch	Size	mm		mm	mm	mm	mm
13W46-4-4	13W43-4-4	6	1/4	-4	6,3	7/16x20	48	24	21	17
13W46-5-4	13W43-5-4	6	1/4	-4	6,3	1/2x20	58	34	21	17
13946-6-4	13943-6-4	6	1/4	-4	6,3	9/16x18	51	27	23	19
13W46-5-5	13W43-5-5	8	5/16	-5	7,9	1/2x20	49	25	21	17
13946-6-5	13943-6-5	8	5/16	-5	7,9	9/16x18	51	28	23	19
13W46-4-6	13W43-4-6	10	3/8	-6	9,5	7/16x20	46	23	21	17
13946-6-6	13943-6-6	10	3/8	-6	9,5	9/16x18	51	28	23	19
13W46-8-6	13W43-8-6	10	3/8	-6	9,5	3/4x16	59	36	29	22
13W46-10-6	13W43-10-6	10	3/8	-6	9,5	7/8x14	61	38	32	27
13946-6-8	13943-6-8	12	1/2	-8	12,7	9/16x18	54	30	23	19
13W46-8-8	13W43-8-8	12	1/2	-8	12,7	3/4x16	55	31	29	22
13W46-10-8	13W43-10-8	12	1/2	-8	12,7	7/8x14	63	39	32	27
13946-12-8	13943-12-8	12	1/2	-8	12,7	1-1/16x12	73	49	48	32
13W46-10-10	13W43-10-10	16	5/8	-10	15,9	7/8x14	64	39	33	27
13946-12-10	13943-12-10	16	5/8	-10	15,9	1-1/16x12	75	49	48	32
13946-12-12	13943-12-12	20	3/4	-12	19,1	1-1/16x12	80	54	48	32
13946-14-12	13943-14-12	20	3/4	-12	19,1	1-3/16x12	80	54	51	36
13946-16-12	13943-16-12	20	3/4	-12	19,1	1-5/16x12	80	54	56	41
13946-12-16	13943-12-16	25	1	-16	25,4	1-1/16x12	88	58	48	32
13946-16-16	13943-16-16	25	1	-16	25,4	1-5/16x12	98	68	56	41
13946-20-16	13943-20-16	25	1	-16	25,4	1-5/8x12	98	68	62	50
13946-20-20		32	1-1/4	-20	31,8	1-5/8x12	124	86	70	50
	13943-20-20	32	1-1/4	-20	31,8	1-5/8x12	130	83	70	50
	13943-24-20°	32	1-1/4	-20	31,8	1-7/8x12	130	82	80	60
	13943-24-24	40	1-1/2	-24	38,1	1-7/8x12	140	102	84	60

带“°”标记的软管接头必须使用Parkrimp 2 设备扣压。
材料: 碳钢, 镀锌