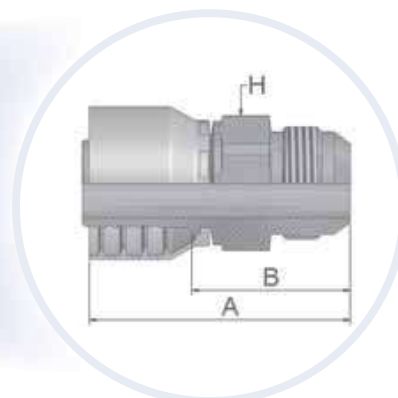


### 03 - JIC 37°外螺纹-扩口式-直接头

ISO12151-5-S, AGJ



适用软管类型:



XXXX-XX-XX 型号		软管内径				螺纹	A	B	H
46	43	DN	Inch	Size	mm	UNF	mm	mm	mm
10346-4-4	10343-4-4	6	1/4	-4	6,3	7/16x20	52	29	14
10346-5-4	10343-5-4	6	1/4	-4	6,3	1/2x20	52	29	14
10346-6-4	10343-6-4	6	1/4	-4	6,3	9/16x18	55	31	19
10346-5-5	10343-5-5	8	5/16	-5	7,9	1/2x20	50	26	14
10346-6-5	10343-6-5	8	5/16	-5	7,9	9/16x18	55	31	19
10346-8-5	10343-8-5	8	5/16	-5	7,9	3/4x16	57	33	19
10346-4-6	10343-4-6	10	3/8	-6	9,5	7/16x20	54	31	19
10346-5-6	10343-5-6	10	3/8	-6	9,5	1/2x20	53	30	19
10346-6-6	10343-6-6	10	3/8	-6	9,5	9/16x18	54	31	19
10346-8-6	10343-8-6	10	3/8	-6	9,5	3/4x16	53	30	22
10346-10-6	10343-10-6	10	3/8	-6	9,5	7/8x14	56	33	24
10346-8-8	10343-8-8	12	1/2	-8	12,7	3/4x16	58	34	22
10346-10-8	10343-10-8	12	1/2	-8	12,7	7/8x14	56	32	24
10346-12-8	10343-12-8	12	1/2	-8	12,7	1-1/16x12	62	38	27
10346-8-10	10343-8-10	16	5/8	-10	15,9	3/4x16	57	31	22
10346-10-10	10343-10-10	16	5/8	-10	15,9	7/8x14	63	38	24
10346-12-10	10343-12-10	16	5/8	-10	15,9	1-1/16x12	64	39	27
10346-12-12	10343-12-12	20	3/4	-12	19,1	1-1/16x12	68	42	27
10346-14-12	10343-14-12	20	3/4	-12	19,1	1-3/16x12	68	42	30
10346-16-12	10343-16-12	20	3/4	-12	19,1	1-5/16x12	64	38	36
10346-16-16	10343-16-16	25	1	-16	25,4	1-5/16x12	76	46	36
10346-20-16	10343-20-16	25	1	-16	25,4	1-5/8x12	73	43	46
10346-20-20		32	1-1/4	-20	31,8	1-5/8x12	86	48	46
	10343-20-20	32	1-1/4	-20	31,8	1-5/8x12	101	53	46
	10343-24-24	40	1-1/2	-24	38,1	1-7/8x12	85	47	50

材料: 碳钢, 镀锌

