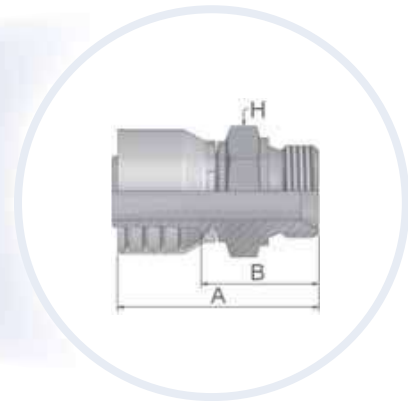



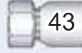
## D9 - BSP外管螺纹-60°内锥-直接头

BS5200 - AGR



适用软管类型:

 <b>46</b>	441, 461LT, 462, 462ST, 463, 492, 492ST, 692, 692 TWIN
 <b>43</b>	381, 301SN, 302, 481, 421SN, 422, 426, 436, 441, 451TC, 471TC /472TC, 493, 811, 881

XXXX-XX-XX 型号		软管内径				螺纹 BSP	A	B	H
 46	 43	DN	Inch	Size	mm		mm	mm	mm
1D946-2-4	1D943-2-4	6	1/4	-4	6,3	1/8x28	46	22	14
1D946-4-4	1D943-4-4	6	1/4	-4	6,3	1/4x19	51	27	19
1D946-6-4	1D943-6-4	6	1/4	-4	6,3	3/8x19	53	31	22
1D946-8-4	1D943-8-4	6	1/4	-4	6,3	1/2x14	56	33	27
1D946-4-5	1D943-4-5	8	5/16	-5	7,9	1/4x19	51	27	19
1D946-6-5	1D943-6-5	8	5/16	-5	7,9	3/8x19	55	31	22
1D946-4-6	1D943-4-6	10	3/8	-6	9,5	1/4x19	50	27	19
1D946-6-6	1D943-6-6	10	3/8	-6	9,5	3/8x19	54	31	22
1D946-8-6	1D943-8-6	10	3/8	-6	9,5	1/2x14	56	33	27
1D946-6-8	1D943-6-8	12	1/2	-8	12,7	3/8x19	54	30	22
1D946-8-8	1D943-8-8	12	1/2	-8	12,7	1/2x14	57	33	27
1D946-10-8	1D943-10-8	12	1/2	-8	12,7	5/8x14	59	35	30
1D946-12-8	1D943-12-8	12	1/2	-8	12,7	3/4x14	60	36	32
1D946-8-10	1D943-8-10	16	5/8	-10	15,9	1/2x14	59	33	27
1D946-10-10	1D943-10-10	16	5/8	-10	15,9	5/8x14	61	36	30
1D946-12-10	1D943-12-10	16	5/8	-10	15,9	3/4x14	62	37	32
1D946-12-12	1D943-12-12	20	3/4	-12	19,1	3/4x14	62	36	32
1D946-16-12	1D943-16-12	20	3/4	-12	19,1	1x11	68	42	41
1D946-16-16	1D943-16-16	25	1	-16	25,4	1x11	72	42	41
1D946-20-20		32	1-1/4	-20	31,8	1-1/4x11	85	47	50
	1D943-20-20	32	1-1/4	-20	31,8	1-1/4x11	92	45	50
	1D943-24-24	40	1-1/2	-24	38,1	1-1/2x11	87	49	60
	1D943-24-24C	40	1-1/2	-24	38,1	1-1/2x11	87	49	60
	1D943-32-32	50	2	-32	50,8	2	102	54	70

材料: 碳钢, 镀锌