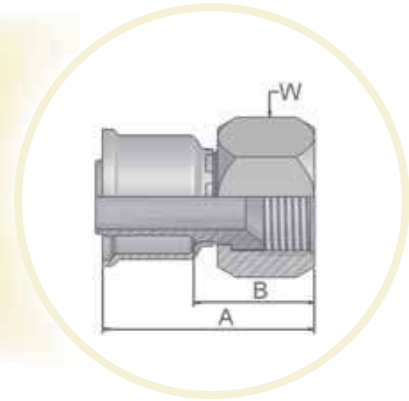


06/68 — JIC 37°/SAE 45°双角度内螺纹-旋转螺母-直接头

ISO12151-5-SWS – DKJ



适用软管类型:



B

XXXX-XX-XX 型号 26	软管内径			螺纹 UNF	钢管 规格	A	B	W
	Inch	Size	mm					
16826-4-4-SM	3/16	-4	5,0	7/16x20	1/4	43	24	14
16826-4-4	3/16	-4	5,0	7/16x20	1/4	42	20	9/16
16826-4-5	1/4	-5	6,3	7/16x20	1/4	48	26	9/16
16826-5-5-SM	1/4	-5	6,3	1/2x20	5/16	44	23	17
16826-5-5BA	1/4	-5	6,3	1/2x20	5/16	45	23	5/8
10626-6-6-SM	5/16	-6	8,0	9/16x18	3/8	45	24	19
10626-6-6	5/16	-6	8,0	9/16x18	3/8	45	23	11/16
16826-8-8-SM	13/32	-8	10,0	3/4x16	1/2	48	27	22
10826-8-8	13/32	-8	10,0	3/4x16	1/2	49	27	7/8
16826-8-8BS	13/32	-8	10,0	3/4x16	1/2	49	27	7/8
16826-8-10	1/2	-10	12,5	3/4x16	1/2	60	36	7/8
16826-10-10-SM	1/2	-10	12,5	7/8x14	5/8	41	19	27
16826-10-10BA	1/2	-10	12,5	7/8x14	5/8	55	31	1
16826-10-12-SM	5/8	-12	16,0	7/8x14	5/8	61	33	27
16826-10-12	5/8	-12	16,0	7/8x14	5/8	61	37	1
10626-12-12-SM	5/8	-12	16,0	1-1/16x12	3/4	56	34	32
10626-12-12	5/8	-12	16,0	1-1/16x12	3/4	58	34	1-1/4
10626-16-16-SM	7/8	-16	22,0	1-5/16x12	1	62	36	41
10626-16-16	7/8	-16	22,0	1-5/16x12	1	64	38	1-1/2
10626-20-20-SM	1-1/8	-20	29,0	1-5/8x12	1-1/4	67	40	50
10626-20-24-SM	1-3/8	-24	35,0	1-5/8x12	1-1/4	80	52	50
10626-24-24-SM	1-3/8	-24	35,0	1-7/8x12	1-1/2	72	44	60
10626-32-32	1-13/16	-32	46,0	2-1/2x12	2	84	52	2-7/8

材料: 碳钢镀锌
BA: 芯子: 黄铜, 螺母和套筒: 碳钢
BS: 芯子和螺母: 黄铜, 套筒: 碳钢
SM: 公制六角